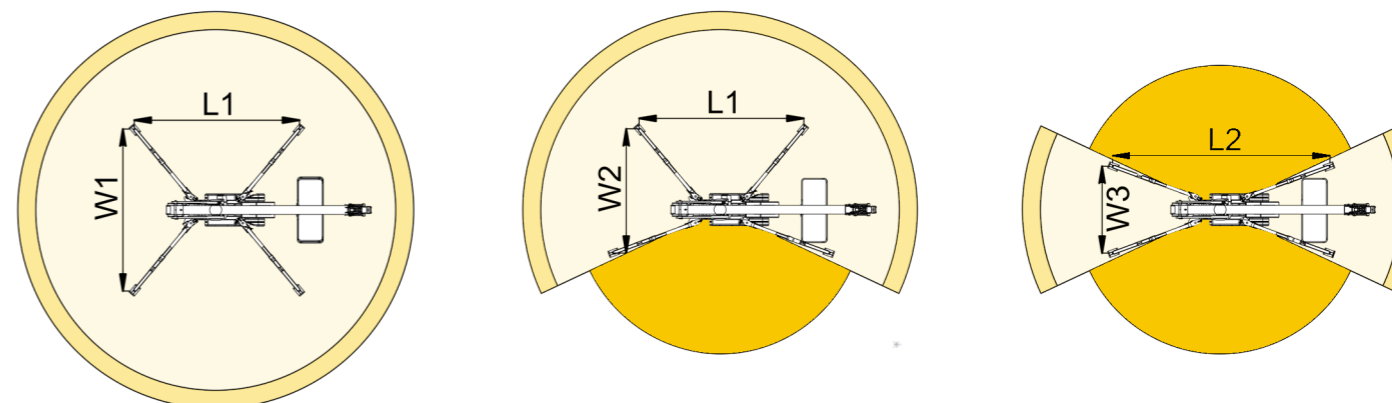
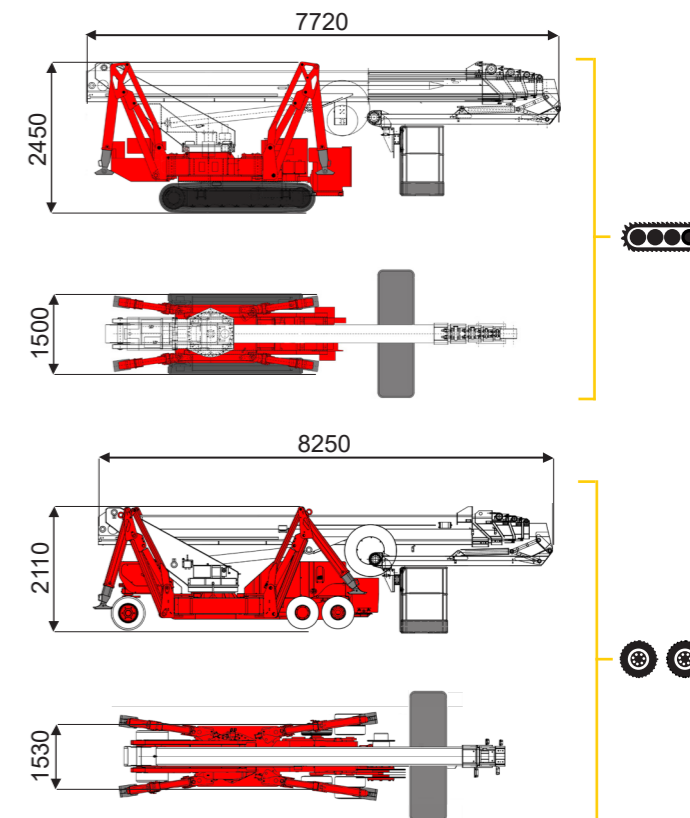
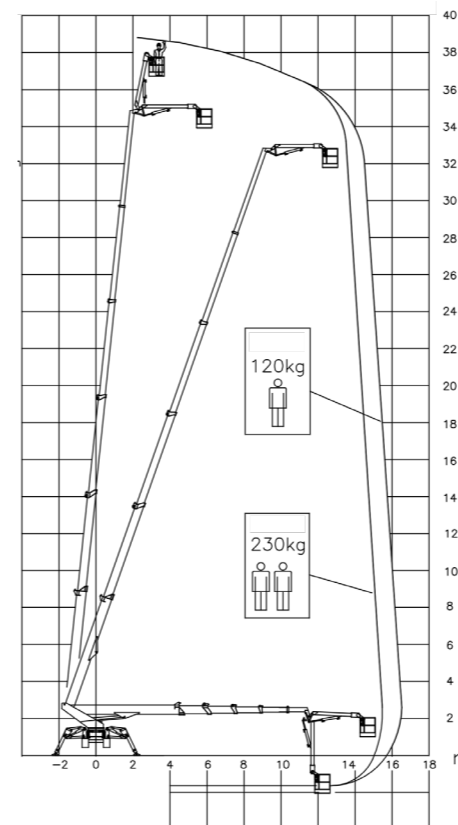




**39 m** ↑  
**16,5 m** →  
**230 Kg** 👤 👤



15,5 m	16,5 m	10 m	L1	L2	W1	W2	W3
230 kg	120 kg	120/230 kg	4960 mm	6200 mm	4700 mm	3810 mm	2920 mm

**BI-ENERGY**  
Diesel+AC



**TSJ 39/C**

🚧	39 m	16,5 m	230 kg	170°	660°	240x70 cm	90°+80°	2,92-4,7 m	18%	40%	2,2 km/h	7960 kg	47 kN	3,41 kN/m <sup>2</sup>	4,3 kN/m <sup>2</sup>
---	------	--------	--------	------	------	-----------	---------	------------	-----	-----	----------	---------	-------	------------------------	-----------------------

**TSJ 39/R**

🚧	39 m	14,9 m	230 kg	170°	660°	240x70 cm	90°+80°	2,92-4,7 m	31%	12%	1,4 km/h	7600 kg	47 kN	3,26 kN/m <sup>2</sup>	3,84 kN/m <sup>2</sup>
---	------	--------	--------	------	------	-----------	---------	------------	-----	-----	----------	---------	-------	------------------------	------------------------

Available version:

- BI-ENERGY (DIESEL+AC)
- ECO (DC+AC)
- HYBRID (DIESEL+DC)

Characteristics and technical data are informative only and subjected to change without notice.